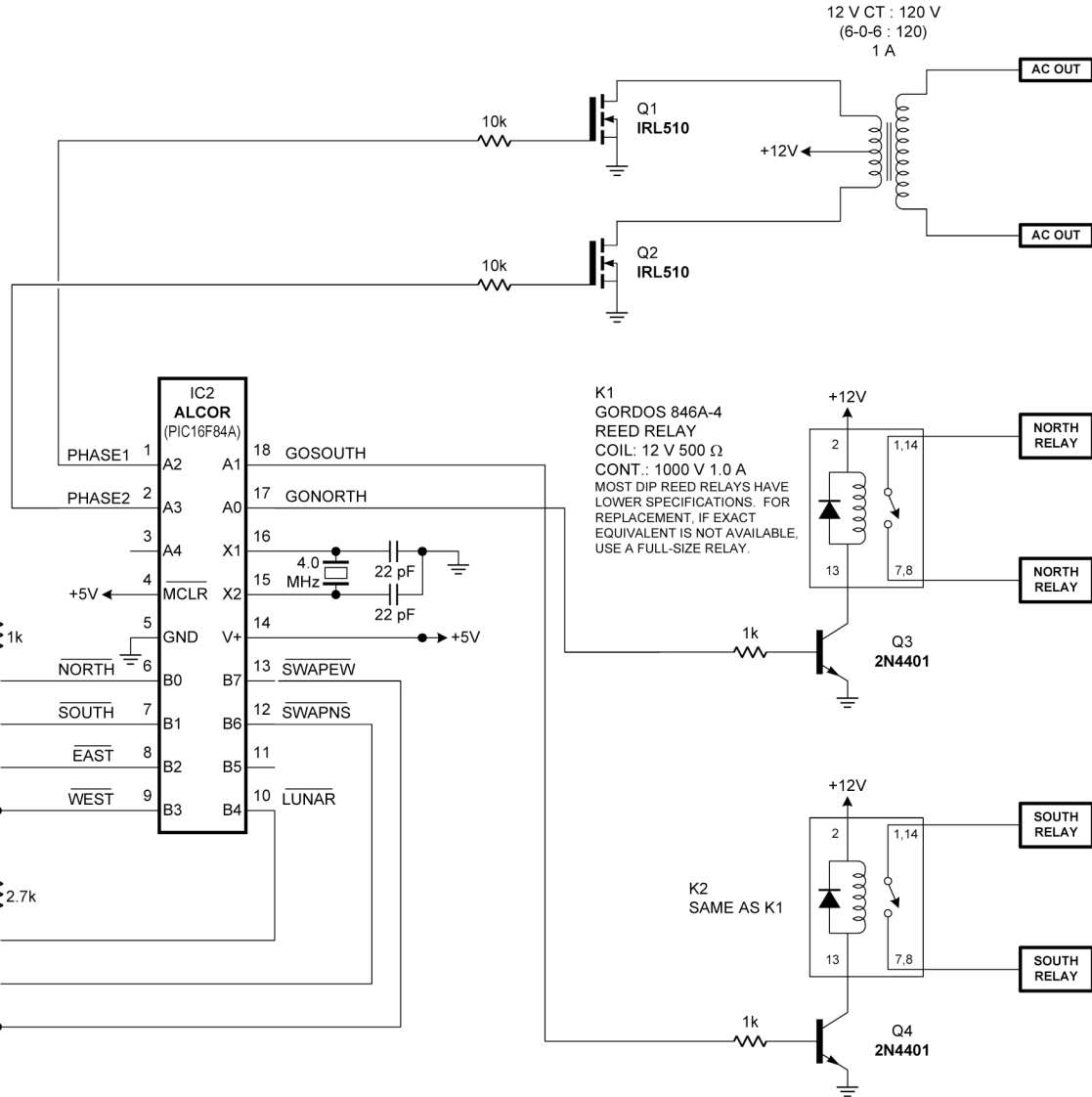
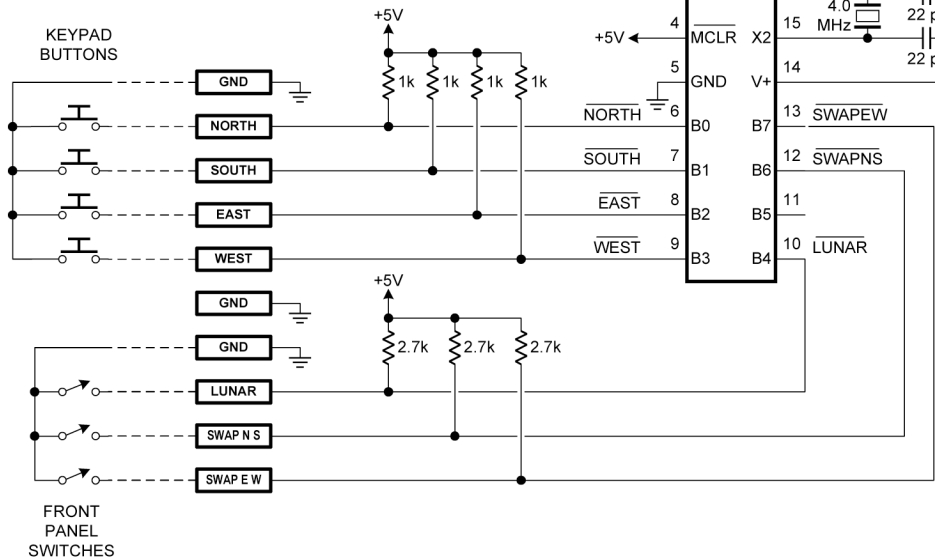


Changed from 100 µF for stability, Jan. 29, 2006.



**ALCOR 1.1 TELESCOPE DRIVE CONTROLLER
FOR ATLANTA ASTRONOMY CLUB
MICHAEL A. COVINGTON
MARCH 2005**

